

# B310

Water-proof Junction Box



## Features

Aesthetic design

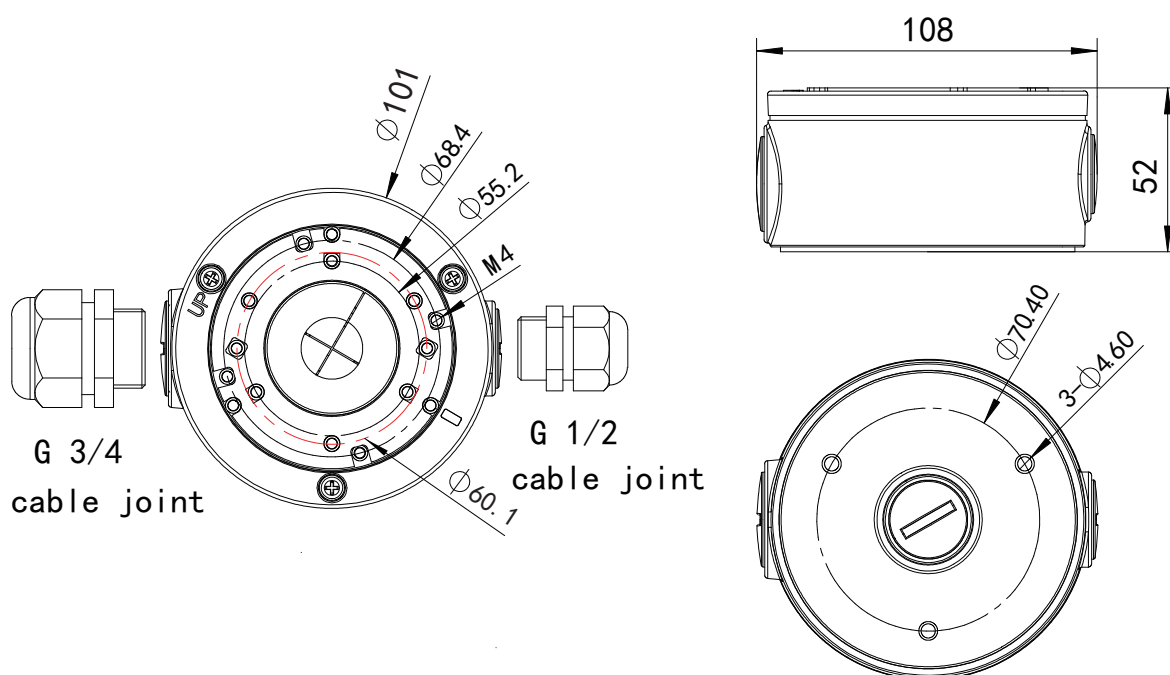
IP66 Junction Box

Material: Aluminum

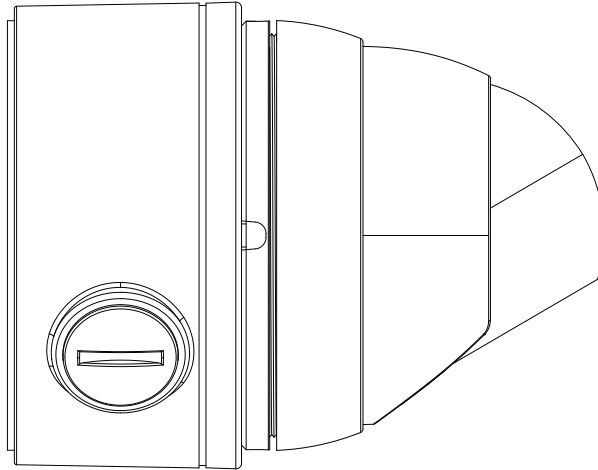
## Technical Specifications

Model	B310
Material	Aluminum
Dimension(WxHxD)	φ101mm x 52 mm
Weight	0.405kg(with color box) / 0.328kg(bare machine)
Color	White
Operating Temperature	-40°C ~ +60°C (-40°F ~ +140°F)
Humidity	< 90% RH
Applicable Model	BMSC/BMSC-2; BMSF/SBA; CMSB/SCA/CMSB-2/SCA-2/CMSB-3/SCA-3; BMSA;BMSE; BMSD;BMSF.

## Dimensions (mm)



## Application



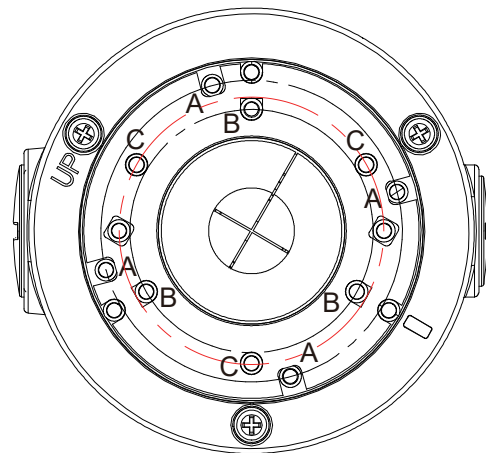
## Packaging Information

Wall mount bracket x 1

M4 screw x 3

ST4 screw x 4

Plastic anchor x 4

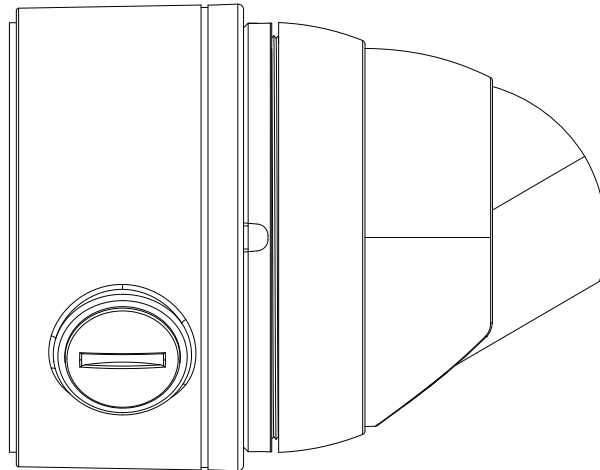


(1) Holes 4A for.....

(2) Holes 3B for.....

(3) Holes 3C for BMSF/SBA; CMSB/SCA; BMSA

## Application



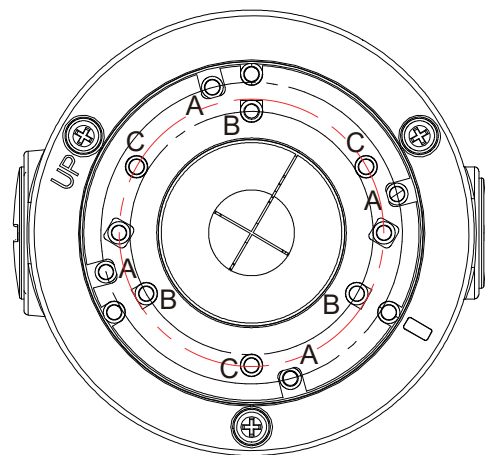
## Packaging Information

Wall mount bracket x 1

M4 screw x 3

ST4 screw x 4

Plastic anchor x 4



(1) Holes 4A for.....

(2) Holes 3B for.....

(3) Holes 3C for BMSF/SBA; CMSB/SCA; BMSA